

Kuri Tec[®]

ENDURE[™]

Air Brake Tubing and Fittings



*BUILT FOR THE
LONG HAUL*



KURIYAMA
OF AMERICA, INC.

www.badgerfluidpower.com



ENDURE™

151 Series (Type B), 251 Series (Type A) DOT Air Brake Tubing

General Applications:

- Auxiliary air systems
- Trailer air brake systems
- Truck, bus and commercial vehicle air brake systems

Construction: Specially designed polyester compounds

Service Temperature Range: -40°F (-40°C) to +200°F (+93°C)

Features and Advantages:

- **Superior Flexibility** – Highly engineered polyester material exhibits improved flexibility versus traditional nylon tubing.
- **Excellent Resistance** – Excellent resistance to abrasion, gasoline, diesel fuel, road salt and deicing compounds.
- **Industry Leading Impact Strength and Vibration Cracking Resistance** – Engineered formulation retains its flexibility and resists impact cracking in both high heat and sub-zero cold weather conditions; providing longer service life than traditional nylon tubing.
- **Exceeds Industry Performance Standards** – Far surpasses traditional nylon tubing for heat aging and heated oil aging, while retaining its superior performance and flexibility over lower temperatures than traditional nylon tubing.
- **Easy Installation** – Greater flexibility allows for easier installation reducing time, effort and installer fatigue.
- **Weather Resistant** – Heat and light stabilized for superior UV resistance and long service life. Resists the cracking that can result from damaging UV light.

Compliances:

- Meets and exceeds DOT FMVSS 106
- Meets and exceeds performance requirements of SAE J844



Because we continually examine ways to improve our products, we reserve the right to alter specifications or discontinue products without prior notice.

Part Numbering System

151 BK - 06 x 500

Type		Color		OD Size		Length	
251	Non-Reinforced	BK	Black	02	1/8"	100	100 ft
151	Reinforced	BL	Blue	02.5	5/32"	250	250 ft
		GR	Green	03	3/16"	500	500 ft
		OR	Orange	04	1/4"	1K	1,000 ft
		RD	Red	05	5/16"	2K	2,000 ft
		YE	Yellow	06	3/8"		
				08	1/2"		
				10	5/8"		
				12	3/4"		



251 Series (Type A) Endure™ Non-Reinforced Air Brake Tubing

Nominal Specifications

Series Number	Size Code	Nominal OD (in)	Nominal ID (in)	Nominal Wall (in)	Min. Burst Pressure (psi) at 70°F (20°C)	Min. Bend Radius (in) at 70°F (20°C)	Standard Lengths (ft)		Package Weight (lbs)	
							Spool	Coil	Spool	Coil
251XX	02	1/8	0.079	0.023	1,000	0.37	2,000	100	8.0	0.4
251XX	02.5	5/32	0.092	0.032	1,200	0.50	1,000	100	7.0	0.7
251XX	03	3/16	0.117	0.035	1,200	0.75	1,000	100	9.5	1.0
251XX	04	1/4	0.170	0.040	1,200	1.00	1,000	100	14.5	1.5
251XX	05	5/16	0.232	0.040	1,000	1.25	500	100	9.5	1.9

Color Codes (XX): BK = Black, BL = Blue, GR = Green, OR = Orange, RD = Red, YE = Yellow

151 Series (Type B) Endure™ Reinforced Air Brake Tubing

Nominal Specifications

Series Number	Size Code	Nominal OD (in)	Nominal ID (in)	Nominal Wall (in)	Min. Burst Pressure (psi) at 70°F (20°C)	Min. Bend Radius (in) at 70°F (20°C)	Standard Lengths (ft)		Package Weight (lbs)	
							Spool	Coil	Spool	Coil
151XX	06	3/8	0.251	0.062	1,400	1.5	500	100	17.0	3.4
151XX	08	1/2	0.376	0.062	950	2.5	500	100	23.0	4.6
151XX	10	5/8	0.441	0.094	900	3.0	250	100	22.0	8.8
151XX	12	3/4	0.566	0.094	850	3.5	250	100	27.0	10.8

Color Codes (XX): BK = Black, BL = Blue, GR = Green, OR = Orange, RD = Red, YE = Yellow

Because we continually examine ways to improve our products, we reserve the right to alter specifications or discontinue products without prior notice.

ENDURE™

Push-To-Connect Fittings

General Applications:

- Pneumatic circuits for truck and trailers: air suspension, braking systems, transmissions, locking doors and windows, seat adjustment, instrumentation, air conditioning systems, horn, wiper motors, valves, cylinders and accessories.
- Suitable for all air assisted applications except those designed for use between frame and axle or between towed and towing vehicles.

Construction:

Brass housing with polyethylene holding ring and nitrile (NBR) seals.

Recommended Tubing:

Designed to work with Endure™ Air Brake tubing or other tubing that complies with DOT FMVSS 106 and meets the performance requirements of SAE J844.

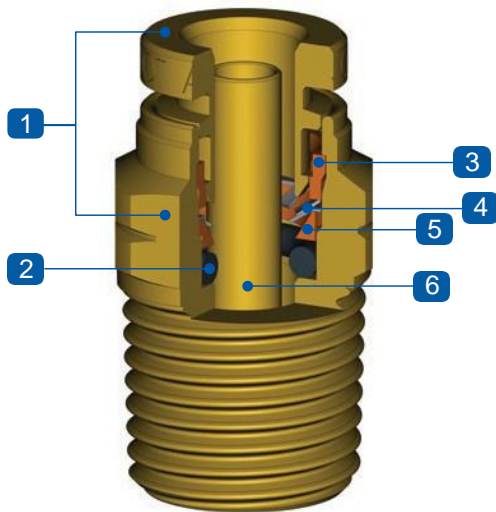
Max. Pressure: 290 PSI

Vacuum Rating: 29 inHg

Temperature Range:
-58°F (-50°C) to +212°F (+100°C)

Available Fitting Sizes

Tubing Size	NPTF				
	1/8"	1/4"	3/8"	1/2"	3/4"
1/4"	X	X	X		
3/8"	X	X	X	X	
1/2"		X	X	X	
5/8"			X	X	X
3/4"				X	X



- 1** Body and Release – Brass UNI EN 12164 CW614N - UNI EN 12165 CW617N
- 2** Seals – NBR (Low Temperature)
- 3** Holding Ring – Resin (PEI)
- 4** Gripping Collet – Stainless Steel AISI 301
- 5** Protection Ring – Resin (PEI)
- 6** Tube – Tube Support (in)

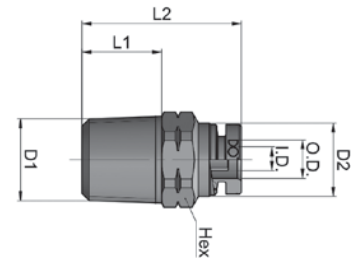
Part Numbering System

DOT-BR MC-06 04

Endure™ DOT	Brass				
Fitting Style		Size: Tube		Size: NPT/Tube	
MC	Male Connector	04	1/4"	02	1/8"
FC	Female Connector	06	3/8"	04	1/4"
ME90	Male Elbow 90°	08	1/2"	06	3/8"
ME90S	Male Elbow 90° Swivel	10	5/8"	08	1/2"
ME45S	Male Elbow 45° Swivel	12	3/4"	10	5/8"
MBTS	Male Branch Tee Swivel			12	3/4"
MRTS	Male Run Tee Swivel				
UN	Union				
BH	Bulk Head Union				
UNE90	Union Elbow 90°				
UNT	Union Tee				

Because we continually examine ways to improve our products, we reserve the right to alter specifications or discontinue products without prior notice.

Straight Fittings



Male Straight

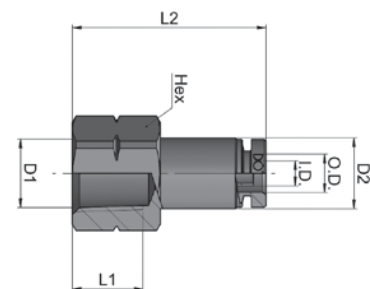
DOT-BRMC Series

Nominal Specifications

Part Number	Description	Tube OD (in)	Tube† ID (in)	D1 NPTF (in)	D2 (in)	L1 (in)	L2 (in)	HEX (in)	Weight Each (lbs)	*Pieces Per Package
DOT-BRMC-0402	MALE CONN 1/4 TB X 1/8 NPTF	1/4	.165	1/8	0.472	.335	0.925	1/2	0.026	25
DOT-BRMC-0404	MALE CONN 1/4 TB X 1/4 NPTF	1/4	.165	1/4	0.472	.512	1.024	9/16	0.044	25
DOT-BRMC-0406	MALE CONN 1/4 TB X 3/8 NPTF	1/4	.165	3/8	0.472	.512	1.063	11/16	0.074	25
DOT-BRMC-0602	MALE CONN 3/8 TB X 1/8 NPTF	3/8	.244	1/8	0.630	.335	1.161	11/16	0.053	25
DOT-BRMC-0604	MALE CONN 3/8 TB X 1/4 NPTF	3/8	.244	1/4	0.630	.512	1.299	11/16	0.067	25
DOT-BRMC-0606	MALE CONN 3/8 TB X 3/8 NPTF	3/8	.244	3/8	0.630	.512	1.043	11/16	0.063	25
DOT-BRMC-0608	MALE CONN 3/8 TB X 1/2 NPTF	3/8	.244	1/2	0.630	.669	1.240	7/8	0.133	25
DOT-BRMC-0804	MALE CONN 1/2 TB X 1/4 NPTF	1/2	.362	1/4	0.787	.512	1.406	13/16	0.089	25
DOT-BRMC-0806	MALE CONN 1/2 TB X 3/8 NPTF	1/2	.362	3/8	0.787	.512	1.209	13/16	0.077	25
DOT-BRMC-0808	MALE CONN 1/2 TB X 1/2 NPTF	1/2	.362	1/2	0.787	.669	1.248	7/8	0.112	25
DOT-BRMC-1006	MALE CONN 5/8 TB X 3/8 NPTF	5/8	.433	3/8	0.925	.512	1.555	1	0.156	10
DOT-BRMC-1008	MALE CONN 5/8 TB X 1/2 NPTF	5/8	.433	1/2	0.925	.669	1.496	1	0.141	10
DOT-BRMC-1208	MALE CONN 3/4 TB X 1/2 NPTF	3/4	.559	1/2	1.043	.669	1.791	1 1/16	0.191	10
DOT-BRMC-1212	MALE CONN 3/4 TB X 3/4 NPTF	3/4	.559	3/4	1.043	.669	1.535	1 1/16	0.197	10

† Note: The "Tube ID (in)" column heading refers to "Tube Support ID (in)"

*Only sold in package quantities



Female Straight

DOT-BRFC Series

Nominal Specifications

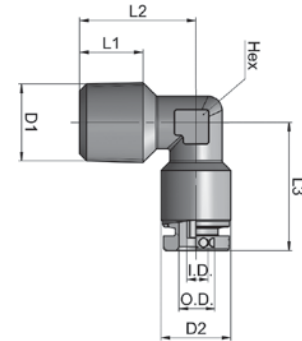
Part Number	Description	Tube OD (in)	Tube† ID (in)	D1 NPTF (in)	D2 (in)	L1 (in)	L2 (in)	HEX (in)	Weight Each (lbs)	*Pieces Per Package
DOT-BRFC-0402	FEMALE CONN 1/4 TB X 1/8 NPTF	1/4	.165	1/8	.472	.335	1.122	1/2	0.035	25
DOT-BRFC-0404	FEMALE CONN 1/4 TB X 1/4 NPTF	1/4	.165	1/4	.472	.492	1.299	11/16	0.063	25
DOT-BRFC-0604	FEMALE CONN 3/8 TB X 1/4 NPTF	3/8	.244	1/4	.630	.492	1.378	11/16	0.049	25
DOT-BRFC-0606	FEMALE CONN 3/8 TB X 3/8 NPTF	3/8	.244	3/8	.630	.492	1.378	13/16	0.089	25
DOT-BRFC-0608	FEMALE CONN 3/8 TB X 1/2 NPTF	3/8	.244	1/2	.630	.492	1.516	1	0.138	25
DOT-BRFC-0806	FEMALE CONN 1/2 TB X 3/8 NPTF	1/2	.362	3/8	.787	.472	1.445	13/16	0.116	25
DOT-BRFC-0808	FEMALE CONN 1/2 TB X 1/2 NPTF	1/2	.362	1/2	.787	.472	1.543	1	0.096	25

† Note: The "Tube ID (in)" column heading refers to "Tube Support ID (in)"

*Only sold in package quantities

Because we continually examine ways to improve our products, we reserve the right to alter specifications or discontinue products without prior notice.

Elbow Fittings



Male Elbow 90°

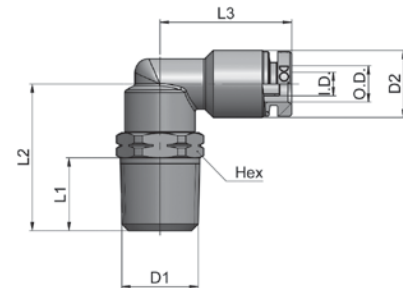
DOT-BRME90 Series

Nominal Specifications

Part Number	Description	Tube OD (in)	Tube [†] ID (in)	D1 NPTF (in)	D2 (in)	L1 (in)	L2 (in)	L3 (in)	HEX (mm)	Weight Each (lbs)	*Pieces Per Package
DOT-BRME90-0402	MALE ELB 90 1/4 TB X 1/8 NPTF	1/4	.165	1/8	.472	.331	.630	0.866	10	0.032	25
DOT-BRME90-0404	MALE ELB 90 1/4 TB X 1/4 NPTF	1/4	.165	1/4	.472	.433	.787	0.866	10	0.044	25
DOT-BRME90-0604	MALE ELB 90 3/8 TB X 1/4 NPTF	3/8	.244	1/4	.630	.472	.886	1.024	14	0.072	25
DOT-BRME90-0606	MALE ELB 90 3/8 TB X 3/8 NPTF	3/8	.244	3/8	.630	.433	.886	1.024	14	0.079	25

† Note: The "Tube ID (in)" column heading refers to "Tube Support ID (in)"

*Only sold in package quantities



Male Elbow 90° Swivel

DOT-BRME90S Series

Nominal Specifications

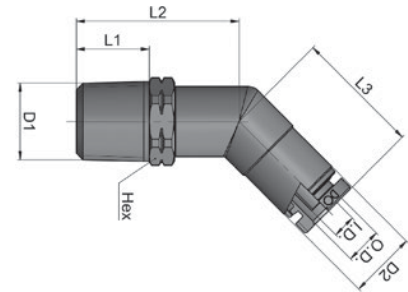
Part Number	Description	Tube OD (in)	Tube [†] ID (in)	D1 NPTF (in)	D2 (in)	L1 (in)	L2 (in)	L3 (in)	HEX (in)	Weight Each (lbs)	*Pieces Per Package
DOT-BRME90S-0402	MALE ELB 90 SWIVEL 1/4 TB X 1/8 NPTF	1/4	.165	1/8	0.472	.335	0.835	0.925	1/2	0.046	25
DOT-BRME90S-0404	MALE ELB 90 SWIVEL 1/4 TB X 1/4 NPTF	1/4	.165	1/4	0.472	.512	1.031	0.925	9/16	0.056	25
DOT-BRME90S-0406	MALE ELB 90 SWIVEL 1/4 TB X 3/8 NPTF	1/4	.165	3/8	0.472	.512	1.051	0.925	11/16	0.071	25
DOT-BRME90S-0602	MALE ELB 90 SWIVEL 3/8 TB X 1/8 NPTF	3/8	.244	1/8	0.630	.335	0.945	1.063	11/16	0.091	25
DOT-BRME90S-0604	MALE ELB 90 SWIVEL 3/8 TB X 1/4 NPTF	3/8	.244	1/4	0.630	.512	1.122	1.063	11/16	0.091	25
DOT-BRME90S-0606	MALE ELB 90 SWIVEL 3/8 TB X 3/8 NPTF	3/8	.244	3/8	0.630	.512	1.122	1.063	11/16	0.091	25
DOT-BRME90S-0608	MALE ELB 90 SWIVEL 3/8 TB X 1/2 NPTF	3/8	.244	1/2	0.630	.669	1.339	1.063	7/8	0.091	25
DOT-BRME90S-0804	MALE ELB 90 SWIVEL 1/2 TB X 1/4 NPTF	1/2	.362	1/4	0.787	.512	1.260	1.169	13/16	0.162	25
DOT-BRME90S-0806	MALE ELB 90 SWIVEL 1/2 TB X 3/8 NPTF	1/2	.362	3/8	0.787	.512	1.260	1.169	13/16	0.151	25
DOT-BRME90S-0808	MALE ELB 90 SWIVEL 1/2 TB X 1/2 NPTF	1/2	.362	1/2	0.787	.669	1.437	1.169	7/8	0.181	25
DOT-BRME90S-1008	MALE ELB 90 SWIVEL 5/8 TB X 1/2 NPTF	5/8	.433	1/2	0.945	.669	1.555	1.417	7/8	0.241	10
DOT-BRME90S-1012	MALE ELB 90 SWIVEL 5/8 TB X 3/4 NPTF	5/8	.433	3/4	0.945	.669	1.555	1.417	1 1/16	0.275	10
DOT-BRME90S-1208	MALE ELB 90 SWIVEL 3/4 TB X 1/2 NPTF	3/4	.559	1/2	1.063	.669	1.555	1.496	7/8	0.288	10
DOT-BRME90S-1212	MALE ELB 90 SWIVEL 3/4 TB X 3/4 NPTF	3/4	.559	3/4	1.063	.669	1.555	1.496	1 1/16	0.325	10

† Note: The "Tube ID (in)" column heading refers to "Tube Support ID (in)"

*Only sold in package quantities

Because we continually examine ways to improve our products, we reserve the right to alter specifications or discontinue products without prior notice.

Elbow Fittings



Male Elbow 45° Swivel

DOT-BRME45S Series

Nominal Specifications

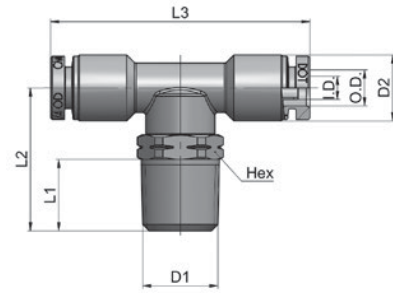
Part Number	Description	Tube OD (in)	Tube [†] ID (in)	D1 NPTF (in)	D2 (in)	L1 (in)	L2 (in)	L3 (in)	HEX (in)	Weight Each (lbs)	*Pieces Per Package
DOT-BRME45S-0402	MALE ELB 45 SWIVEL 1/4 TB X 1/8 NPTF	1/4	.165	1/8	.472	.335	0.906	0.886	1/2	0.059	25
DOT-BRME45S-0404	MALE ELB 45 SWIVEL 1/4 TB X 1/4 NPTF	1/4	.165	1/4	.472	.512	1.102	0.886	9/16	0.072	25
DOT-BRME45S-0604	MALE ELB 45 SWIVEL 3/8 TB X 1/4 NPTF	3/8	.244	1/4	.630	.512	1.142	1.024	11/16	0.116	25
DOT-BRME45S-0606	MALE ELB 45 SWIVEL 3/8 TB X 3/8 NPTF	3/8	.244	3/8	.630	.512	1.161	1.024	11/16	0.119	25
DOT-BRME45S-0608	MALE ELB 45 SWIVEL 3/8 TB X 1/2 NPTF	3/8	.244	1/2	.630	.669	1.378	1.024	7/8	0.159	25
DOT-BRME45S-0806	MALE ELB 45 SWIVEL 1/2 TB X 3/8 NPTF	1/2	.362	3/8	.787	.512	1.260	1.130	13/16	0.172	25
DOT-BRME45S-0808	MALE ELB 45 SWIVEL 1/2 TB X 1/2 NPTF	1/2	.362	1/2	.787	.669	1.437	1.130	7/8	0.200	25

† Note: The "Tube ID (in)" column heading refers to "Tube Support ID (in)"

*Only sold in package quantities

Because we continually examine ways to improve our products, we reserve the right to alter specifications or discontinue products without prior notice.

Tee Fittings



Male Branch Tee Swivel

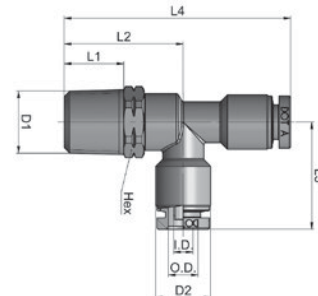
DOT-BRMBTS Series

Nominal Specifications

Part Number	Description	Tube OD (in)	Tube† ID (in)	D1 NPTF (in)	D2 (in)	L1 (in)	L2 (in)	L3 (in)	HEX (in)	Weight Each (lbs)	*Pieces Per Package
DOT-BRMBTS-0402	MALE BR TEE SWIVEL 1/4 TB X 1/8 NPTF	1/4	.165	1/8	.472	.335	0.835	1.850	1/2	0.064	25
DOT-BRMBTS-0404	MALE BR TEE SWIVEL 1/4 TB X 1/4 NPTF	1/4	.165	1/4	.472	.512	1.031	1.850	9/16	0.075	25
DOT-BRMBTS-0406	MALE BR TEE SWIVEL 1/4 TB X 3/8 NPTF	1/4	.165	3/8	.472	.512	1.051	1.850	11/16	0.091	25
DOT-BRMBTS-0604	MALE BR TEE SWIVEL 3/8 TB X 1/4 NPTF	3/8	.244	1/4	.630	.512	1.122	2.126	11/16	0.134	25
DOT-BRMBTS-0606	MALE BR TEE SWIVEL 3/8 TB X 3/8 NPTF	3/8	.244	3/8	.630	.512	1.122	2.126	11/16	0.135	25
DOT-BRMBTS-0608	MALE BR TEE SWIVEL 3/8 TB X 1/2 NPTF	3/8	.244	1/2	.630	.669	1.339	2.126	7/8	0.178	25
DOT-BRMBTS-0804	MALE BR TEE SWIVEL 1/2 TB X 1/4 NPTF	1/2	.362	1/4	.787	.512	1.260	2.339	13/16	0.213	25
DOT-BRMBTS-0806	MALE BR TEE SWIVEL 1/2 TB X 3/8 NPTF	1/2	.362	3/8	.787	.512	1.260	2.339	13/16	0.201	25
DOT-BRMBTS-0808	MALE BR TEE SWIVEL 1/2 TB X 1/2 NPTF	1/2	.362	1/2	.787	.669	1.437	2.339	7/8	0.228	25

† Note: The "Tube ID (in)" column heading refers to "Tube Support ID (in)"

*Only sold in package quantities



Male Run Tee Swivel

DOT-BRMRTS Series

Nominal Specifications

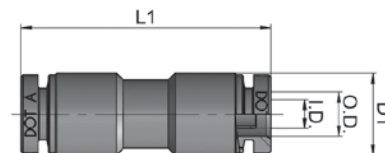
Part Number	Description	Tube OD (in)	Tube† ID (in)	D1 NPTF (in)	D2 (in)	L1 (in)	L2 (in)	L3 (in)	L4 (in)	HEX (in)	Weight Each (lbs)	*Pieces Per Package
DOT-BRMRTS-0402	MALE RN TEE SWIVEL 1/4 TB X 1/8 NPTF	1/4	.165	1/8	.472	.335	0.835	0.925	1.752	1/2	0.076	25
DOT-BRMRTS-0404	MALE RN TEE SWIVEL 1/4 TB X 1/4 NPTF	1/4	.165	1/4	.472	.512	1.031	0.925	1.949	9/16	0.074	25
DOT-BRMRTS-0406	MALE RN TEE SWIVEL 1/4 TB X 3/8 NPTF	1/4	.165	3/8	.472	.512	1.051	0.925	1.969	11/16	0.091	25
DOT-BRMRTS-0604	MALE RN TEE SWIVEL 3/8 TB X 1/4 NPTF	3/8	.244	1/4	.630	.512	1.122	1.063	2.185	11/16	0.132	25
DOT-BRMRTS-0606	MALE RN TEE SWIVEL 3/8 TB X 3/8 NPTF	3/8	.244	3/8	.630	.512	1.122	1.063	2.185	11/16	0.135	25
DOT-BRMRTS-0608	MALE RN TEE SWIVEL 3/8 TB X 1/2 NPTF	3/8	.244	1/2	.630	.669	1.339	1.063	2.402	7/8	0.134	25
DOT-BRMRTS-0804	MALE RN TEE SWIVEL 1/2 TB X 1/4 NPTF	1/2	.362	1/4	.787	.512	1.260	1.169	2.429	13/16	0.213	25
DOT-BRMRTS-0806	MALE RN TEE SWIVEL 1/2 TB X 3/8 NPTF	1/2	.362	3/8	.787	.512	1.260	1.169	2.429	13/16	0.199	25
DOT-BRMRTS-0808	MALE RN TEE SWIVEL 1/2 TB X 1/2 NPTF	1/2	.362	1/2	.787	.669	1.437	1.169	2.606	7/8	0.227	25

† Note: The "Tube ID (in)" column heading refers to "Tube Support ID (in)"

*Only sold in package quantities

Because we continually examine ways to improve our products, we reserve the right to alter specifications or discontinue products without prior notice.

Union Fittings



Union

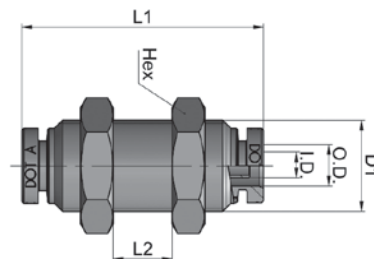
DOT-BRUN Series

Nominal Specifications

Part Number	Description	Tube OD (in)	Tube [†] ID (in)	D1 (in)	L1 (in)	Weight Each (lbs)	*Pieces Per Package
DOT-BRUN-0404	UNION 1/4 TB X 1/4 TB	1/4	.165	0.472	1.323	0.064	25
DOT-BRUN-0606	UNION 3/8 TB X 3/8 TB	3/8	.244	0.630	1.520	0.069	25
DOT-BRUN-0808	UNION 1/2 TB X 1/2 TB	1/2	.362	0.787	1.709	0.201	25
DOT-BRUN-1010	UNION 5/8 TB X 5/8 TB	5/8	.433	0.945	2.047	0.172	10
DOT-BRUN-1212	UNION 3/4 TB X 3/4 TB	3/4	.559	1.102	2.244	0.225	10

† Note: The “Tube ID (in)” column heading refers to “Tube Support ID (in)”

*Only sold in package quantities



Bulkhead Union

DOT-BRBH Series

Nominal Specifications

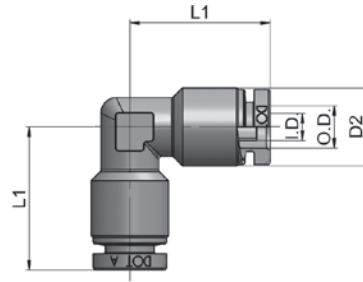
Part Number	Description	Tube OD (in)	Tube [†] ID (in)	D1 Thread Size (mm) x TP (mm)	L1 (in)	L2 (in)	HEX (mm)	Weight Each (lbs)	*Pieces Per Package
DOT-BRBH-0404	BULKHEAD UNION 1/4 TB X 1/4 TB	1/4	.165	M14x1	1.457	.571	18	0.039	25
DOT-BRBH-0606	BULKHEAD UNION 3/8 TB X 3/8 TB	3/8	.244	M18x1	1.614	.689	22	0.131	25
DOT-BRBH-0808	BULKHEAD UNION 1/2 TB X 1/2 TB	1/2	.362	M22x1.5	1.709	.728	26	0.188	25
DOT-BRBH-1010	BULKHEAD UNION 5/8 TB X 5/8 TB	5/8	.433	M26x1.5	2.047	.866	32	0.334	10

† Note: The “Tube ID (in)” column heading refers to “Tube Support ID (in)”

*Only sold in package quantities

Because we continually examine ways to improve our products, we reserve the right to alter specifications or discontinue products without prior notice.

Union Fittings



Union Elbow 90°

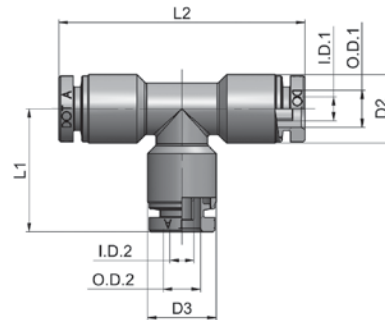
DOT-BRUNE90 Series

Nominal Specifications

Part Number	Description	Tube OD (in)	Tube [†] ID (in)	D2 (in)	L1 (in)	Weight Each (lbs)	*Pieces Per Package
DOT-BRUNE90-0404	UNION ELB 90 1/4 TB X 1/4 TB	1/4	.165	.472	0.866	0.040	25
DOT-BRUNE90-0606	UNION ELB 90 3/8 TB X 3/8 TB	3/8	.244	.630	1.024	0.084	25
DOT-BRUNE90-0808	UNION ELB 90 1/2 TB X 1/2 TB	1/2	.362	.787	1.110	0.135	25
DOT-BRUNE90-1010	UNION ELB 90 5/8 TB X 5/8 TB	5/8	.433	.945	1.398	0.228	10

† Note: The "Tube ID (in)" column heading refers to "Tube Support ID (in)"

*Only sold in package quantities



Union Tee

DOT-BRUNT Series

Nominal Specifications

Part Number	Description	Tube OD1 (in)	Tube [†] ID1 (in)	Tube OD2 (in)	Tube [†] ID2 (in)	D2 (in)	D3 (in)	L1 (in)	L2 (in)	Weight Each (lbs)	*Pieces Per Package
DOT-BRUNT-0404	UNION TEE 1/4 TB X 1/4 TB	1/4	.165	1/4	.165	.472	.472	0.846	1.693	0.055	25
DOT-BRUNT-0606	UNION TEE 3/8 TB X 3/8 TB	3/8	.244	3/8	.244	.630	.630	1.004	2.008	0.116	25
DOT-BRUNT-0604	UNION TEE 3/8 TB X 1/4 TB	3/8	.244	1/4	.165	.630	.472	0.945	2.008	0.106	25
DOT-BRUNT-0808	UNION TEE 1/2 TB X 1/2 TB	1/2	.362	1/2	.362	.787	.787	1.063	2.220	0.184	25
DOT-BRUNT-0806	UNION TEE 1/2 TB X 3/8 TB	1/2	.362	3/8	.244	.787	.630	1.102	2.220	0.178	25
DOT-BRUNT-1010	UNION TEE 5/8 TB X 5/8 TB	5/8	.433	5/8	.433	.945	.945	1.398	2.795	0.359	10

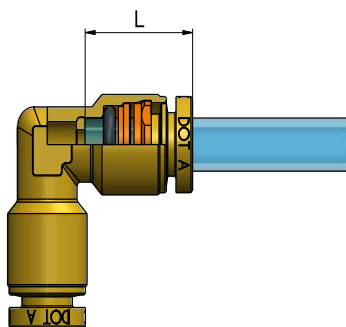
† Note: The "Tube ID (in)" column heading refers to "Tube Support ID (in)"

*Only sold in package quantities

Because we continually examine ways to improve our products, we reserve the right to alter specifications or discontinue products without prior notice.

Push-To-Connect Fittings

Tubing Insertion Depth



Tube OD	L
1/4"	.642"
3/8"	.720"
1/2"	.775"
5/8"	.917"
3/4"	.988"

Assembly Instructions

1. Cut the tube square (with a hose cutter) making sure that there are no burrs and that the tube is round.
2. Insert the tube into the fitting until it bottoms.

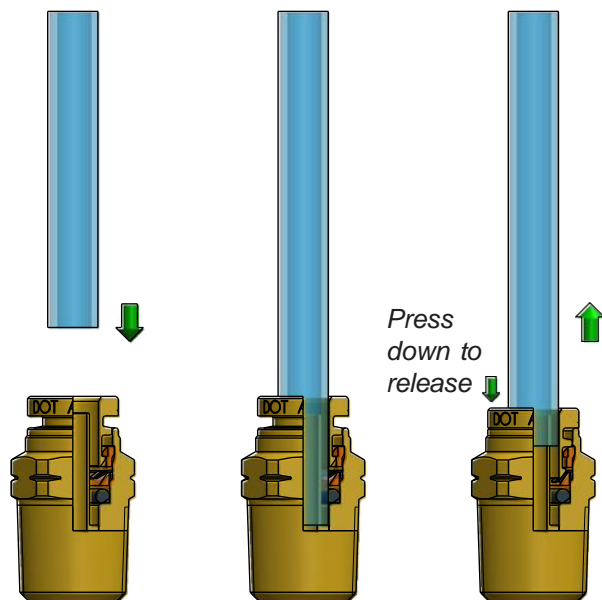
Tube release

While pressing on the release ring, pull the tube from the fitting.

! Once the tubing is connected to the fitting, make sure that the tubing is not pulled or stretched and that the minimum bend radius stated in the tubing section of this catalog is not exceeded.

To prevent accidental tube release, be certain that nothing comes in contact with the release ring. Any load on the release ring may cause an unwanted disconnection.

To tighten NPTF threads, please refer to the following torque chart.



Thread	Norm Reference	Tightening Torque (ft - lb)			
		1/8"	1/4"	3/8"	1/2"
NPTF PTFE coated	ANSI/ASME B1.20.3	2.58	3.32	5.16	8.85

Because we continually examine ways to improve our products, we reserve the right to alter specifications or discontinue products without prior notice.



Cautionary Statement

All Products sold and distributed by Kuriyama of America, Inc. are in the nature of commodities, and they are sold by published specifications and not for particular purposes, uses or applications. Purchaser shall first determine their suitability for the intended purposes, uses or applications and shall either conduct its own engineering studies or tests, or retain qualified engineers, consultants or testing laboratories and consult with them before determining the proper use, suitability or propriety of the merchandise or Products for the intended purposes, uses or applications.

Kuriyama of America, Inc. ("Seller") does not recommend the Products for any particular purpose, use or application, and the Purchaser or user thereof shall assume full responsibility for the suitability, propriety, use and application of the Products. Purchaser shall follow all instructions contained in Seller's catalogs, brochures, technical bulletins and other documents regarding the Products. The Products, including but not limited to, hose, tubing or couplings, may fail due to the use or conveyance of substances at elevated or lowered temperatures or at excessive pressure, the conveyance of abrasive, injurious, flammable, explosive or damaging substances.

Hose or tubing used in bent configurations will be subjected to increased abrasion. Hose clamps or couplings may loosen after initial installation and all sections of hose and tubing including connections, couplings, clamps, conductivity and bonding should be inspected frequently, regularly and consistently, and should be replaced, adjusted or re-tightened for the avoidance of leakage, for the prevention of injuries or damages, and for general safety purposes. Except as indicated in its Limited Warranty, Seller shall not be liable or responsible for direct or indirect injuries or damages caused by or attributed to the failure or malfunction of any Products sold or distributed by it.

Purchasers or users of the Products should frequently and consistently undertake inspections and protective measures with respect to the use and application of Products, which should include the examination of tube and cover, conditions of the hose or tubing, and the identification, repair or replacement of sections showing cracking, blistering, separations, internal and external abrasions, leaking or slipped couplings or connections and make proper proof tests.

Limited Warranty

The Products sold or distributed by Seller are warranted to its customers to be free from defects in material and workmanship at the time of shipment by us, subject to the following provisions. ALL WARRANTY CLAIMS SHALL BE MADE WITHIN SIX (6) MONTHS AFTER SELLER SHIPPED THE PRODUCTS. SELLER'S LIABILITY HEREUNDER IS LIMITED AT SELLER'S EXCLUSIVE DISCRETION, TO 1) THE PURCHASE PRICE OF ANY PRODUCTS PROVING DEFECTIVE; 2) REPAIR OF ANY DEFECTIVE PRODUCT OR PART THEREOF; OR 3) REPLACEMENT OF ANY DEFECTIVE PRODUCT OR PART UPON ITS AUTHORIZED RETURN TO SELLER.

THIS WARRANTY IS IN LIEU OF AND EXCLUDES ALL OTHER WARRANTIES, EXPRESSED, IMPLIED, STATUTORY, OR OTHERWISE CREATED UNDER APPLICABLE LAW INCLUDING, BUT NOT LIMITED TO, THE WARRANTY OF MERCHANTABILITY AND THE WARRANTY OF FITNESS FOR A PARTICULAR PURPOSE. IN NO EVENT SHALL SELLER OR THE MANUFACTURER OF THE PRODUCT BE LIABLE FOR SPECIAL, INCIDENTAL, OR CONSEQUENTIAL DAMAGES, INCLUDING LOSS OF PROFITS, WHETHER OR NOT CAUSED BY OR RESULTING FROM THE NEGLIGENCE OF SELLER AND/OR THE MANUFACTURER OF THE PRODUCT, UNLESS SPECIFICALLY PROVIDED HEREIN. IN ADDITION, THIS WARRANTY SHALL NOT APPLY TO ANY PRODUCTS OR PORTIONS THEREOF WHICH HAVE BEEN SUBJECTED TO ABUSE, MISUSE, IMPROPER INSTALLATION, MAINTENANCE, OR OPERATION, ELECTRICAL FAILURE OR ABNORMAL CONDITIONS, AND TO PRODUCTS WHICH HAVE BEEN TAMPERED WITH, ALTERED, MODIFIED, REPAIRED, REWORKED BY ANYONE NOT APPROVED BY SELLER, OR USED IN ANY MANNER INCONSISTENT WITH THE PROVISIONS OF THE "CAUTIONARY STATEMENT" ABOVE OR ANY INSTRUCTIONS OR SPECIFICATIONS PROVIDED WITH OR FOR THE PRODUCT.

05/03/21 REV

BADGER FLUID POWER

Exceeding The Expectations

*Call for a
quote today!*

3211 Holmgren Way
Green Bay, WI 54304
920-403-7808

sales@badgerfluidpower.com
www.badgerfluidpower.com

Scan our QR Code to see our full product offering!



*Let us help you
determine your
hose needs!*

Find us on Facebook!



Your Local Distributor of Kuriyama Products